



Freestanding Basin

BA050059

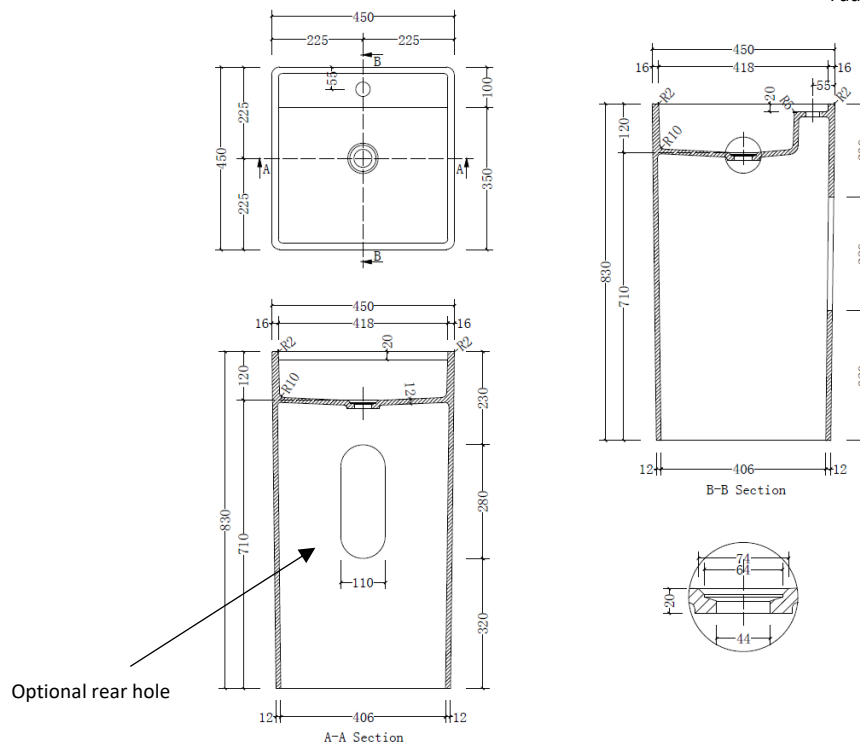


SPECIFICATIONS

450*450*830mm

W/O internal overflow

Faucet hole available upon request.



*Dimensional tolerances are applied to meet design requirements and tailor-made needs for customers.

*All dimensions are subject to the final mutually approved document.