



Freestanding Basin

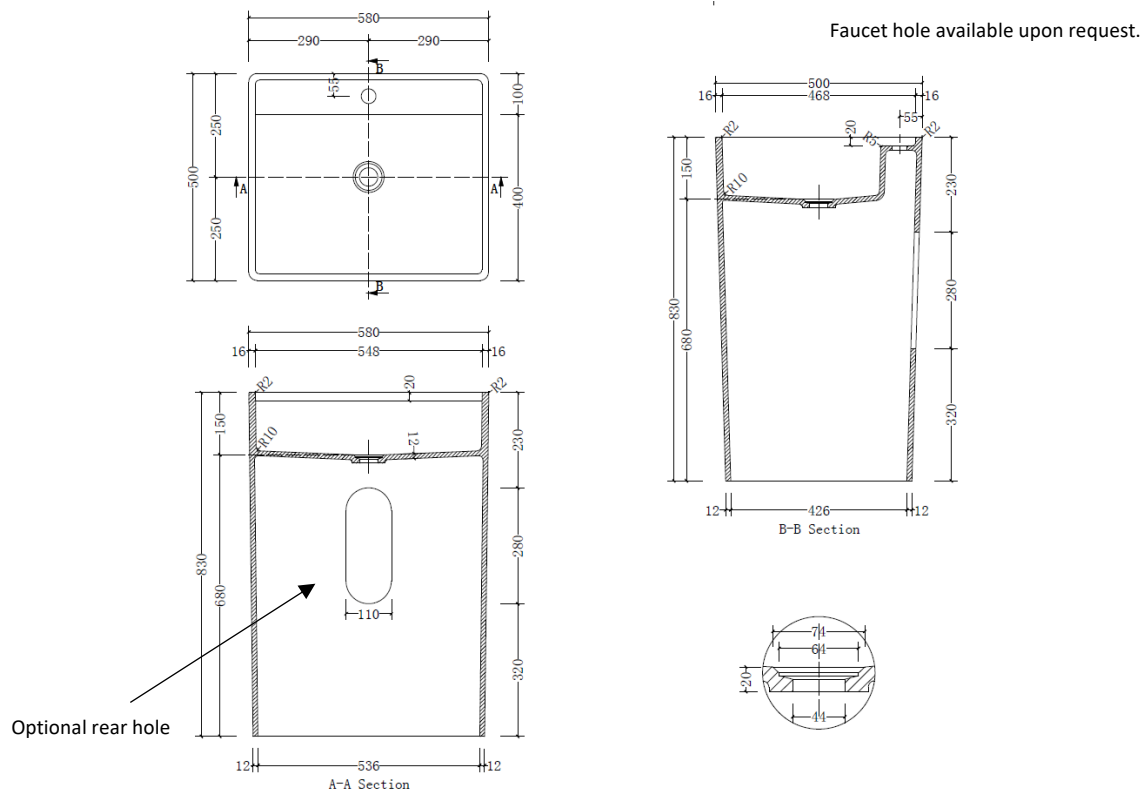
BA050057



SPECIFICATIONS

580*500*830mm

W/O internal overflow



*Dimensional tolerances are applied to meet design requirements and tailor-made needs for customers.
*All dimensions are subject to the final mutually approved document.