



Freestanding Basin

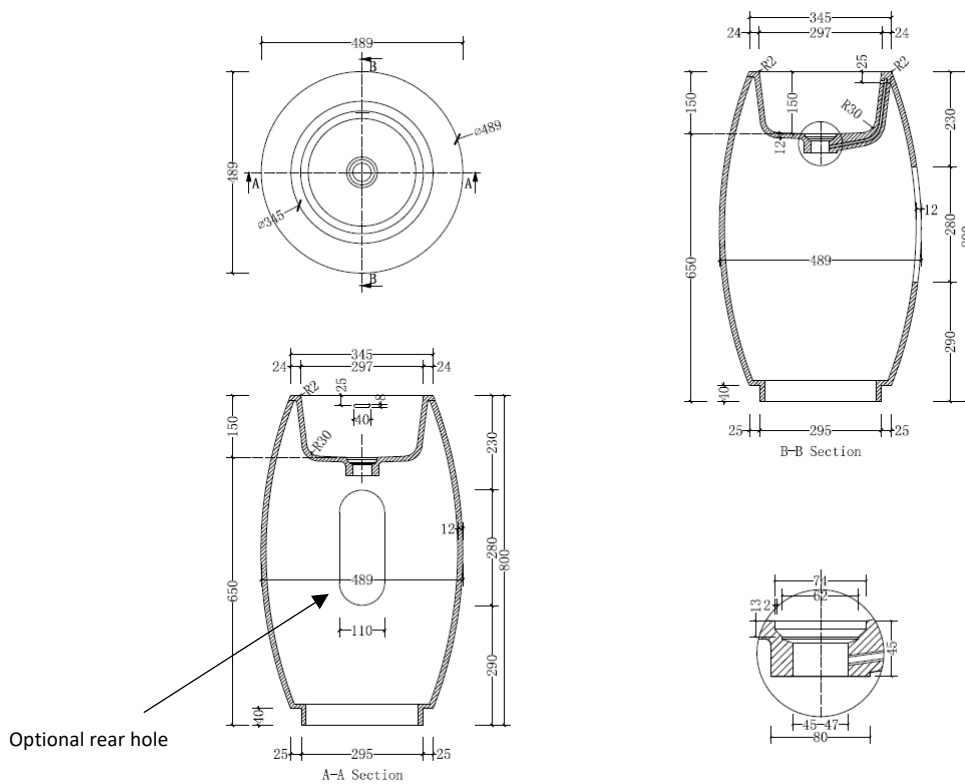
BA050048



SPECIFICATIONS

Ø489*800mm

With internal overflow



*Dimensional tolerances are applied to meet design requirements and tailor-made needs for customers.

*All dimensions are subject to the final mutually approved document.