



# Freestanding Basin

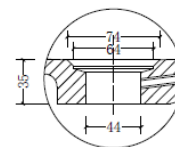
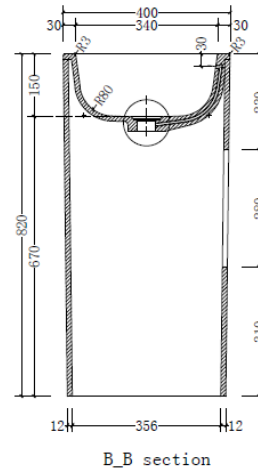
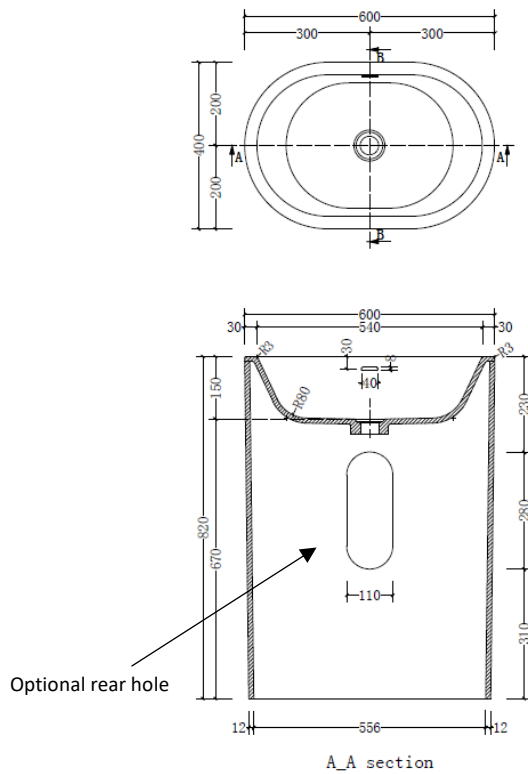
## BA050027



### SPECIFICATIONS

600\*400\*820mm

With internal overflow



\*Dimensional tolerances are applied to meet design requirements and tailor-made needs for customers.  
\*All dimensions are subject to the final mutually approved document.