



Freestanding Basin

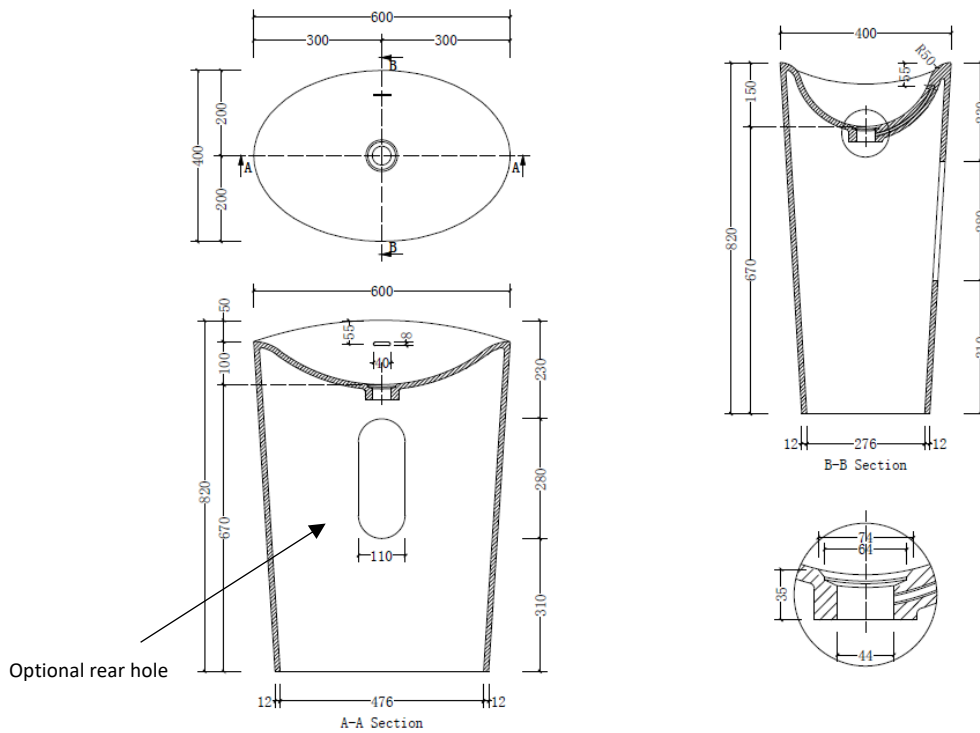
BA050021



SPECIFICATIONS

600*400*820mm

With internal overflow



*Dimensional tolerances are applied to meet design requirements and tailor-made needs for customers.
*All dimensions are subject to the final mutually approved document.