



Semi-pedestal Basin / Wall-hung Basin

BA040085

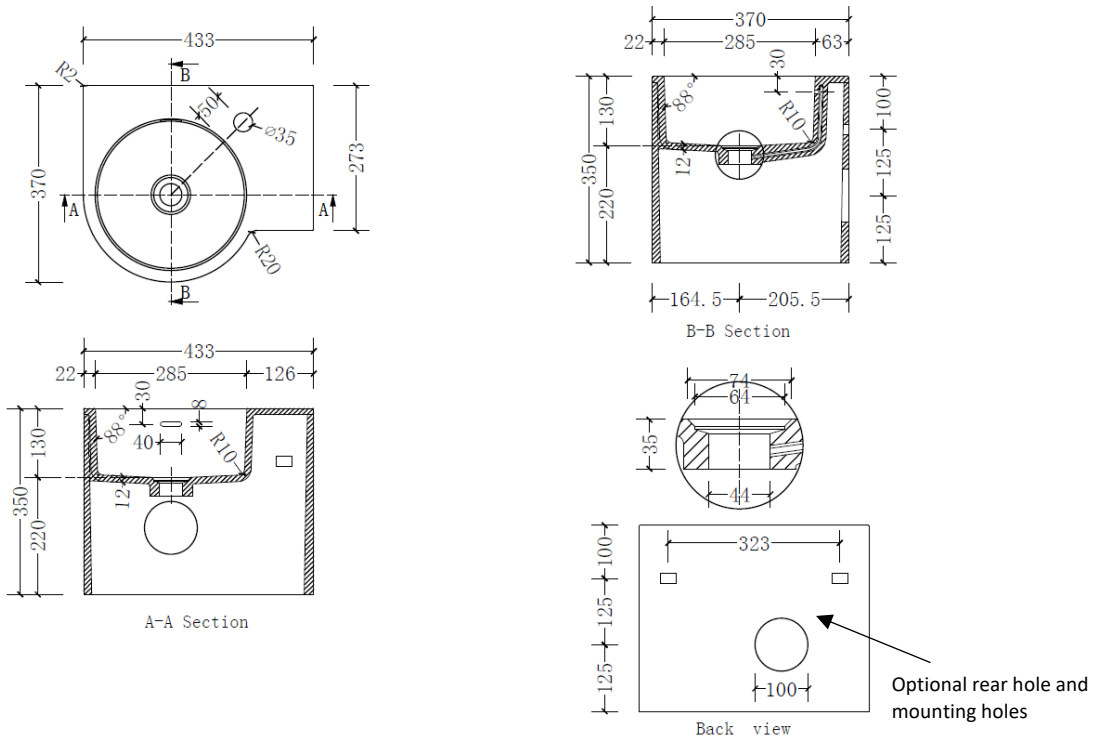


SPECIFICATIONS

433*370*350mm

With internal overflow

Faucet hole available upon request.



*Dimensional tolerances are applied to meet design requirements and tailor-made needs for customers.

*All dimensions are subject to the final mutually approved document.