



Undercounter Basin

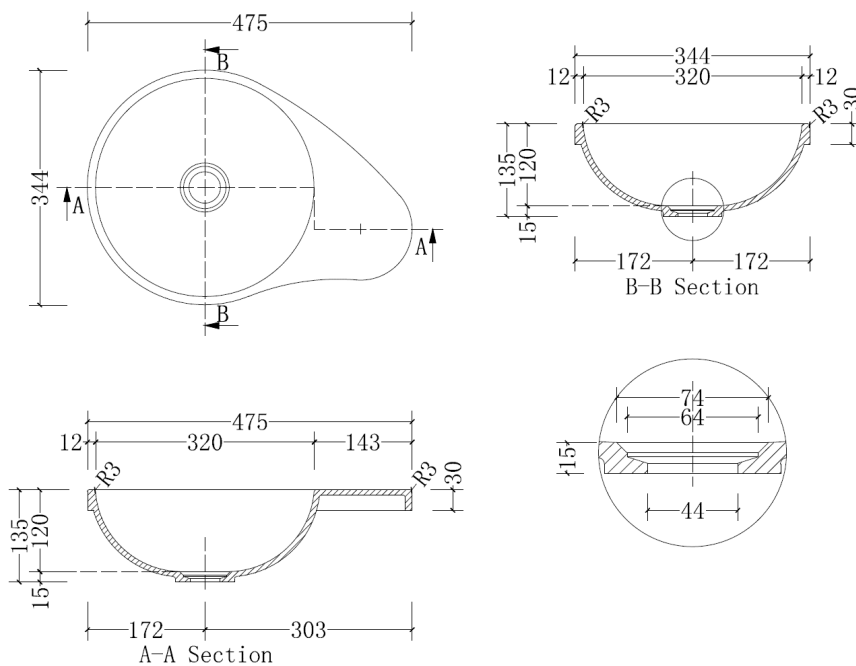
BA040023



SPECIFICATIONS

475*344*135mm

W/O internal overflow



*Dimensional tolerances are applied to meet design requirements and tailor-made needs for customers.

*All dimensions are subject to the final mutually approved document.